

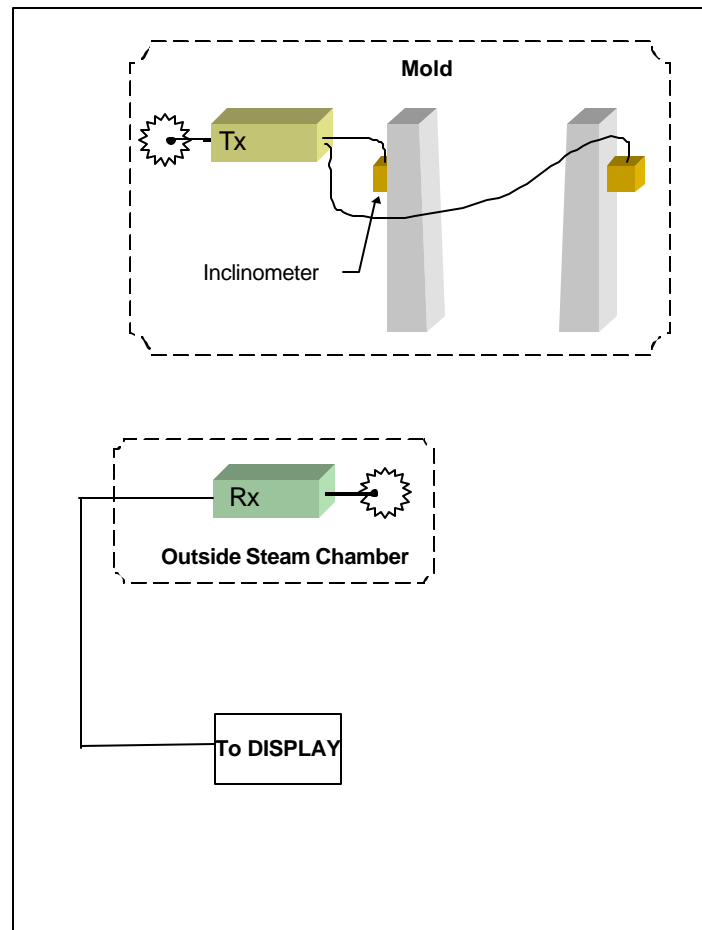
WIRELESS INCLINOMETER SYSTEM

ST125 TaperTx

The Sequence Technologies WIRELESS INCLINOMETER SYSTEM is a unique solution that allows sensitive narrow face taper readings to be transmitted to a remote receiver. The transmitter is mounted to the mold in an accessible location while the receiver is mounted outside the steam chamber. It can be used in conjunction with an existing inclinometer installation or with Sequence Technologies inclinometers.

KEY FEATURES

- ◆ Compact design
- ◆ Self-contained battery packs
- ◆ Rugged, mill duty enclosures
- ◆ Adjustable frequency bands
- ◆ Customized to any inclinometer system



BENEFITS

- ◆ Avoid wire failures on the mold
- ◆ Eliminate hook-up time – all installation done in maintenance aisle
- ◆ Reduce break-out potential
- ◆ Ensure proper narrow face support

