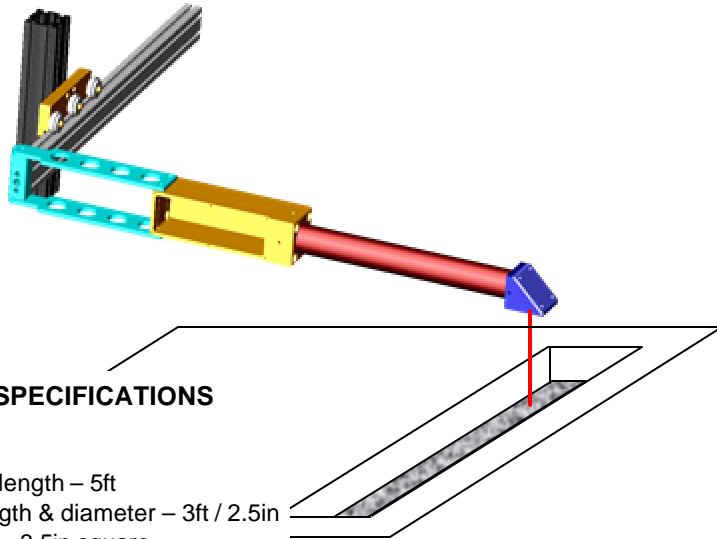


ST260 LevelSENSE Mounting Options

Cantilever Mount with Roller Assembly



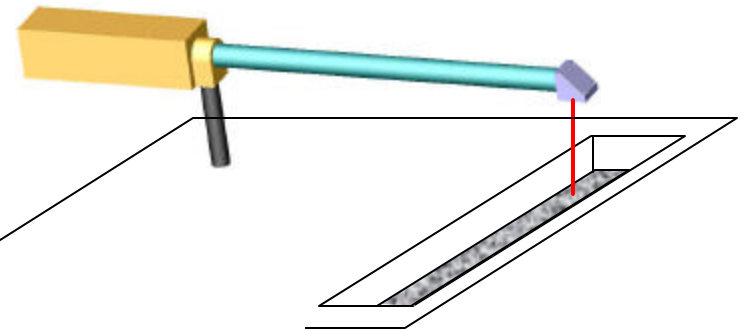
GENERAL SPECIFICATIONS

Mechanical:

- *Overall length – 5ft
- Tube length & diameter – 3ft / 2.5in
- End cap – 3.5in square
- Laser assembly weight – 14lbs
- 345 degrees of rotation
- *Horizontal roller member – 5ft
- *Vertical support member – 2.5ft

(* Denotes custom sizes available)

Pedestal Mount



GENERAL SPECIFICATIONS

Mechanical:

- *Overall length – 6ft
- Tube length & diameter – 4ft / 2.5in
- End cap – 3.5in square
- Laser assembly weight – 11lbs
- Limited rotation
- Affixes to mold cover

(* Denotes custom sizes available)

