

QUAD AXIS ACCELEROMETER

ST703-4 CAP/PZT Accelerometer

The ST703-4 quad axis accelerometer sensor is used to measure acceleration, motion or vibration. This unique sensor embeds three capacitive style and one piezoceramic style sensor chips into a single multi-purpose rugged sensor. This results in a very low noise and low distortion sensor with excellent bandwidth, dynamic range, stability and robustness – excellent for use in low speed applications.

KEY FEATURES

- ◆ Well suited for industrial applications
- ◆ Very low noise
- ◆ Excellent performance over temperature
- ◆ Compact, rugged, stainless steel body
- ◆ Bolt-on or magnetic mounting
- ◆ Hermetically sealed components

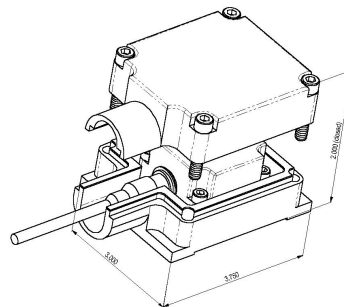
ST703-4 Quad axis accelerometer



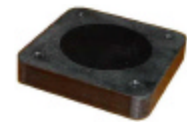
Stud mount style



Magnetic mount style



ST706 Protective Enclosure Protects sensor from extreme conditions



ST705 Magnetic base

SPECIFICATIONS

Performance	Units		
Sensitivity	mV/g	1500	1000
Measuring Range	± g pk	2.7	5.0
Frequency Response	Hz	0 to 400 ⁽¹⁾	0 to 4000
Environmental			
Shock Limit	± g pk	20000	6000
Temperature range	°C	-55 to +125	-48 to +85
Electrical			
Supply Voltage	V	24	
Voltage Output	±V	5	
Mechanical			
Size (L x W x H)	inch	2 x 2 x 1.75	
Sensing Element	Type	CAP/PZT	
Housing Material	Type	Stainless Steel, encapsulated	
Electrical Connector	Type	8 Pin , M12 thread	
Mounting thread	Type	1/4 x 20 UNC (x4)	
Optional magnetic base	ST705	Flat surface, 85 lb force	

Note 1. (-3dB point), the output has true DC (0Hz) response.

BENEFITS

- ◆ Outstanding overload & shock durability
- ◆ Exceptional reliability, unprecedented accuracy
- ◆ Very low noise – ideal for slow speed applications
- ◆ Measure wide range of frequencies with one sensor
- ◆ Rugged design to withstand harsh conditions

OPTIONAL ACCESSORIES

- ◆ ST706 Protective enclosure
- ◆ ST705-3F Magnetic base
- ◆ Cables (custom lengths)

